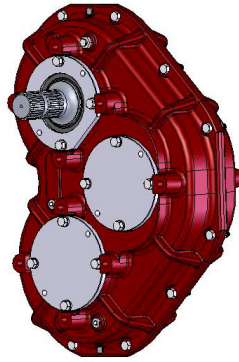


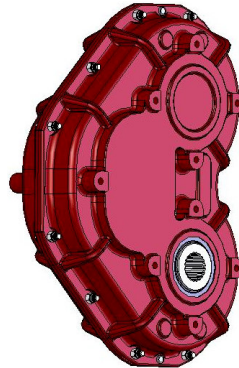


USIMAX NEW PRODUCT 3G-250-275 HP

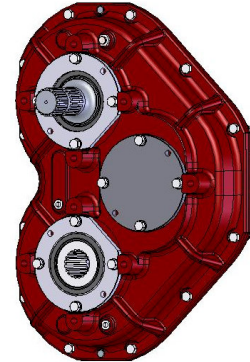
Usimax inc. is proud to present you its new 3G product line



3G-250-901



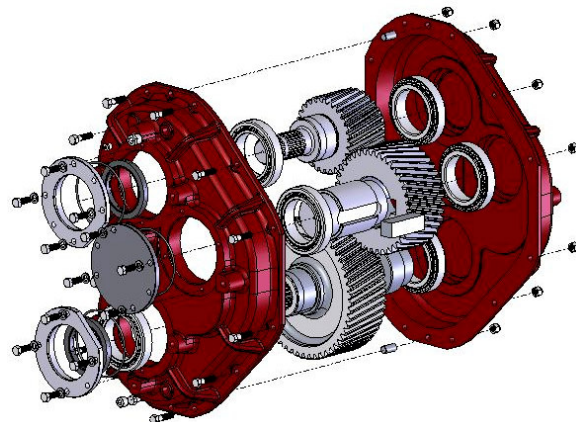
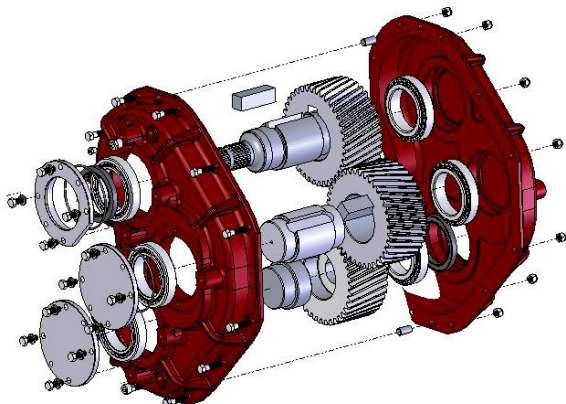
3G-250-901



3G-250-911

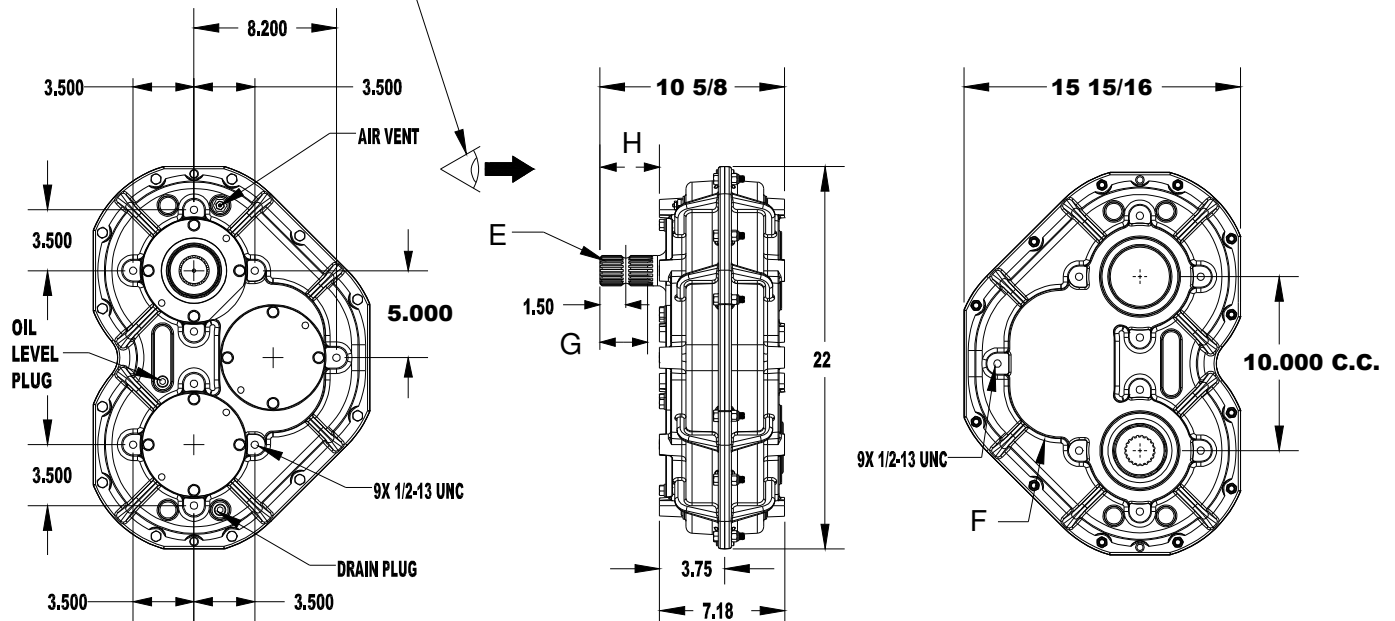
3G-250 AND 3G-275 HP CHARACTERISTICS:

- Use for tractors or equipment that can go up to 250 HP or 275 HP at 1000 rpm like a reducer or an accelerator . Ideal for snow blower or industrial machinery when direction of rotation must stay the same.
- This gearbox is ideal for replacing the chain cases because it is more efficient, more quiet and more durable.
- Machined precisely on CNC machines, cast iron housing with fins to assure good cooling and excellent stiffness.
- All 3 helical gears are made of alloy steel. These gears are heat treated to make them more resistant to wear and impact in case of a sudden jam .
- High efficiency of 97-98%. Quiet running and reduced maintenance.
- Standard ratio 1:1, 1.78:1, and 1.86:1. Other ratio are available on special order.
- Male input shaft 1 3/4 -20 splines..
- Female output 1 3/4 -20 splines or 2" -23 splines.
- 6 tapered roller bearings for high performance and durability. To facilitate a precise adjustment of each pair of tapered roller bearing, we designed a cover for each of the 3 rotation axis. These covers increase the impact resistance and make it easier for the maintenance or the eventual repair.
- Double lips rubber seals. Inspected and leak tested before shipping.
- 9 machined mounting post threaded 1/2-13 UNC on each side of gearbox to facilitate adequate installation.
- One year warranty against manufacturing defects.
- Use 80w90 gear oil. Shipped without oil.
- Approximate weight of 220 pounds



3G-250 TECHNICAL SPECIFICATIONS

EYE POSITION WHEN CHOOSING MOUNTING



DRAWING ABOVE SHOWS
 STYLE MOUNTING 0-W

3G-250 APPROXIMATE
 220 POUNDS

PART NUM.	RATIO	HP	RPM		E	F	G	H	STYLE
			RPM IN	RPM OUT					
3G-250-901	1:1	250	1000	1000	SHAFT 1 3/4- 20 SPLINES	HOLLOW SHAFT 1 3/4- 20 SPLINES	2 3/4"	3 1/2"	0
3G-250-902	1.78:1	250	1000	562	SHAFT 1 3/4- 20 SPLINES	HOLLOW SHAFT 1 3/4- 20 SPLINES	2 3/4"	3 1/2"	0
3G-275-903	1.86:1	275	1000	540	SHAFT 1 3/4- 20 SPLINES	ARBRE CREUX 2- 23 CANNELURES	2 3/4"	3 1/2"	0
3G-250-911	1:1	250	1000	1000	SHAFT 1 3/4- 20 SPLINES	HOLLOW SHAFT 1 3/4- 20 SPLINES	2 3/4"	3 1/2"	1
3G-250-912	1.78:1	250	1000	562	SHAFT 1 3/4- 20 SPLINES	HOLLOW SHAFT 1 3/4- 20 SPLINES	2 3/4"	3 1/2"	1
3G-275-913	1.86:1	275	1000	540	SHAFT 1 3/4- 20 SPLINES	HOLLOW SHAFT 2- 23 SPLINES	2 3/4"	3 1/2"	1
3G-250-921	1:1	250	1000	1000	SHAFT 1 3/4- 20 SPLINES	SHAFT 1 3/4- 20 SPLINES	2 3/4"	3 1/2"	2
3G-250-922	1.78:1	250	1000	562	SHAFT 1 3/4- 20 SPLINES	SHAFT 1 3/4- 20 SPLINES	2 3/4"	3 1/2"	2
3G-275-923	1.86:1	275	1000	540	SHAFT 1 3/4- 20 SPLINES	SHAFT 2 - 23 SPLINES	2 3/4"	3 1/2"	2
3G-250-931	1:1	250	1000	1000	SHAFT 1 3/4- 20 SPLINES	SHAFT 1 3/4- 20 SPLINES	2 3/4"	3 1/2"	3
3G-250-932	1.78:1	250	1000	562	SHAFT 1 3/4- 20 SPLINES	SHAFT 1 3/4- 20 SPLINES	2 3/4"	3 1/2"	3
3G-275-933	1.86:1	275	1000	540	SHAFT 1 3/4- 20 SPLINES	SHAFT 2 - 23 SPLINES	2 3/4"	3 1/2"	3

