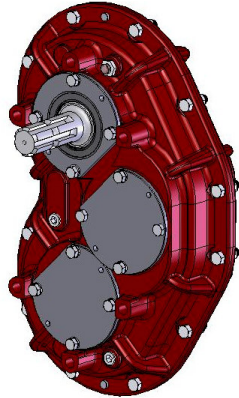


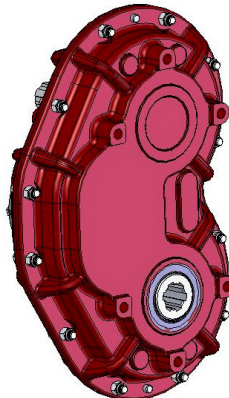


## USIMAX NEW PRODUCT 3G-125-135 HP

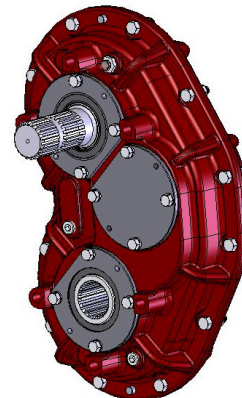
Usimax inc. is proud to present you its new 3G product line



3G-125-901



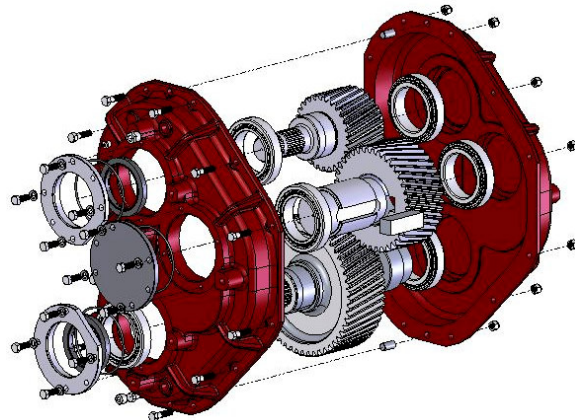
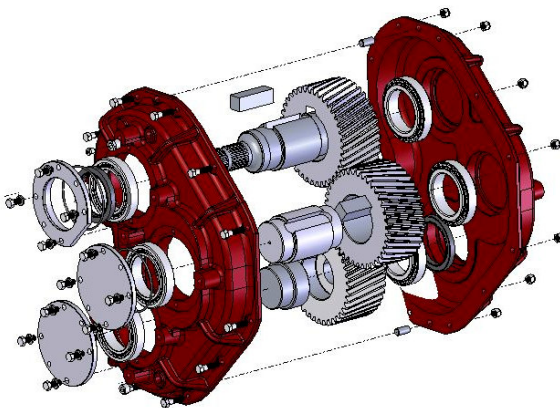
3G-125-901



3G-135-911

### 3G-125 AND 3G-135 HP CHARACTERISTICS:

- Use for tractors or equipment that can go up to 125 HP or 135 HP at 1000 rpm like a reducer or an accelerator . Ideal for snow blower or industrial machinery when direction of rotation must stay the same.
- This gearbox is ideal for replacing the chain cases because it is more efficient, more quiet and more durable.
- Machined precisely on CNC machines, cast iron housing with fins to assure good cooling and excellent stiffness.
- All 3 helical gears are made of alloy steel. These gears are heat treated to make them more resistant to wear and impact in case of a sudden jam .
- High efficiency of 97-98%. Quiet running and reduced maintenance.
- Standard ratio 1:1, 1.8:1, and 2.11:1. Other ratios are available on special order.
- Male input shaft 1 3/8-6 splines or 1 3/4 -20 splines..
- Male or Female output 1 3/8 –6 splines or 1 3/4-20 splines.
- 6 tapered roller bearings for high performance and durability. To facilitate a precise adjustment of each pair of tapered roller bearing, we designed a cover for each of the 3 rotation axis. These covers increase the impact resistance and make it easier for the maintenance or the eventual repair.
- Double lips rubber seals. Inspected and leak tested before shipping.
- 6 machined mounting post threaded 1/2-13 UNC on each side of gearbox to facilitate adequate installation.
- One year warranty against manufacturing defects.
- Use 80w90 gear oil. Shipped without oil.
- Approximate weight of 100 pounds

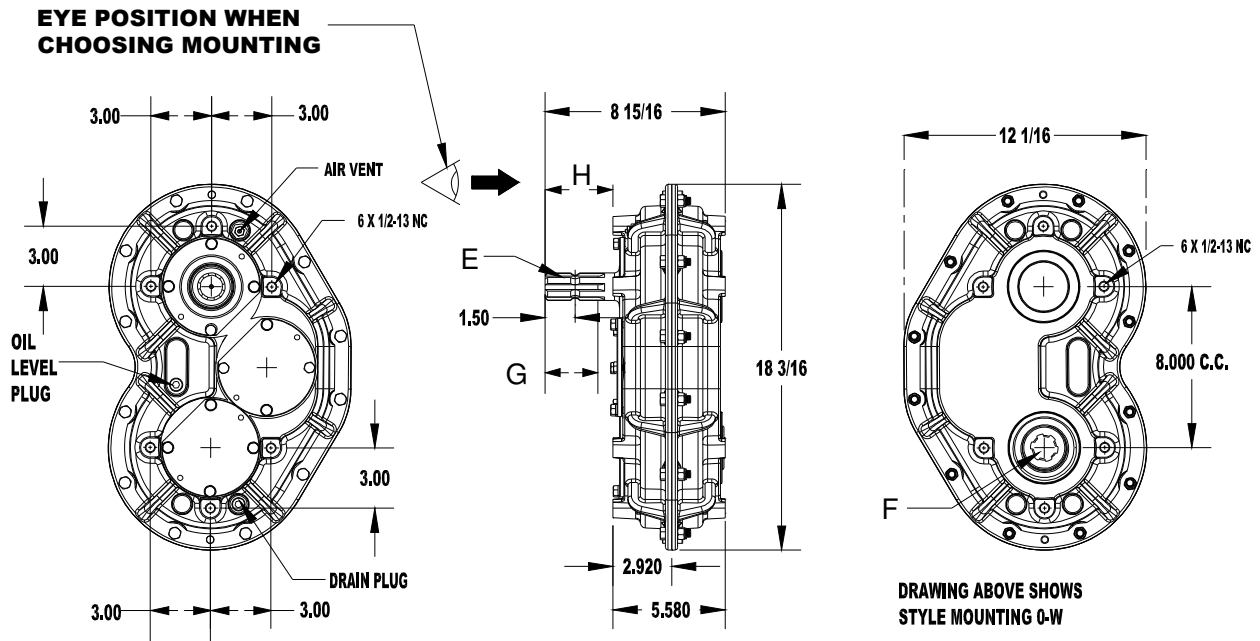




ISO-9001 2000 Certified

1155, 98<sup>e</sup> rue  
 Saint-Georges, Québec, Canada  
 G5Y 8J5  
 Tel : 418-227-3335  
 Fax : 418-227-1335  
 www.usimax.com

**3G-(125-135) TECHNICAL SPECIFICATIONS**



DRAWING ABOVE SHOWS  
 STYLE MOUNTING 0-W

3G-125-135 APPROXIMATE  
 100 POUNDS

PART NUM.	RATIO	HP	RPM		E	F	G	H	STYLE
			RPM IN	RPM OUT					
3G-125-901	1:1	125	1000	1000	SHAFT 1 3/8 - 6 SPLINES	HOLLOW SHAFT 1 3/8 - 6 SPLINES	2 5/8"	3 3/8"	0
3G-125-902	1.8:1	125	1000	555	SHAFT 1 3/8 - 6 SPLINES	HOLLOW SHAFT 1 3/8 - 6 SPLINES	2 5/8"	3 3/8"	0
3G-125-903	2.11:1	125	1000	474	SHAFT 1 3/8 - 6 SPLINES	HOLLOW SHAFT 1 3/8 - 6 SPLINES	2 5/8"	3 3/8"	0
3G-135-901	1:1	135	1000	1000	SHAFT 1 3/4 - 20 SPLINES	HOLLOW SHAFT 1 3/4 - 20 SPLINES	3"	3 1/2"	0
3G-135-902	1.8:1	135	1000	555	SHAFT 1 3/4 - 20 SPLINES	HOLLOW SHAFT 1 3/4 - 20 SPLINES	3"	3 1/2"	0
3G-125-911	1:1	125	1000	1000	SHAFT 1 3/8 - 6 SPLINES	HOLLOW SHAFT 1 3/8 - 6 SPLINES	2 5/8"	3 3/8"	1
3G-125-912	1.8:1	125	1000	555	SHAFT 1 3/8 - 6 SPLINES	HOLLOW SHAFT 1 3/8 - 6 SPLINES	2 5/8"	3 3/8"	1
3G-125-913	2.11:1	125	1000	474	SHAFT 1 3/8 - 6 SPLINES	HOLLOW SHAFT 1 3/8 - 6 SPLINES	2 5/8"	3 3/8"	1
3G-135-911	1:1	135	1000	1000	SHAFT 1 3/4 - 20 SPLINES	HOLLOW SHAFT 1 3/4 - 20 SPLINES	3"	3 1/2"	1
3G-135-912	1.8:1	135	1000	555	SHAFT 1 3/4 - 20 SPLINES	HOLLOW SHAFT 1 3/4 - 20 SPLINES	3"	3 1/2"	1
3G-125-921	1:1	125	1000	1000	SHAFT 1 3/8 - 6 SPLINES	SHAFT 1 3/8 - 6 SPLINES	2 5/8"	3 3/8"	2
3G-125-922	1.8:1	125	1000	555	SHAFT 1 3/8 - 6 SPLINES	SHAFT 1 3/8 - 6 SPLINES	2 5/8"	3 3/8"	2
3G-125-923	2.11:1	125	1000	474	SHAFT 1 3/8 - 6 SPLINES	SHAFT 1 3/8 - 6 SPLINES	2 5/8"	3 3/8"	2
3G-135-921	1:1	135	1000	1000	SHAFT 1 3/4 - 20 SPLINES	SHAFT 1 3/4 - 20 SPLINES	3"	3 1/2"	2
3G-135-922	1.8:1	135	1000	555	SHAFT 1 3/4 - 20 SPLINES	SHAFT 1 3/4 - 20 SPLINES	3"	3 1/2"	2
3G-125-931	1:1	125	1000	1000	SHAFT 1 3/8 - 6 SPLINES	SHAFT 1 3/8 - 6 SPLINES	2 5/8"	3 3/8"	3
3G-125-932	1.8:1	125	1000	555	SHAFT 1 3/8 - 6 SPLINES	SHAFT 1 3/8 - 6 SPLINES	2 5/8"	3 3/8"	3
3G-125-933	2.11:1	125	1000	474	SHAFT 1 3/8 - 6 SPLINES	SHAFT 1 3/8 - 6 SPLINES	2 5/8"	3 3/8"	3
3G-135-931	1:1	135	1000	1000	SHAFT 1 3/4 - 20 SPLINES	SHAFT 1 3/4 - 20 SPLINES	3"	3 1/2"	3
3G-135-932	1.8:1	135	1000	555	SHAFT 1 3/4 - 20 SPLINES	SHAFT 1 3/4 - 20 SPLINES	3"	3 1/2"	3

