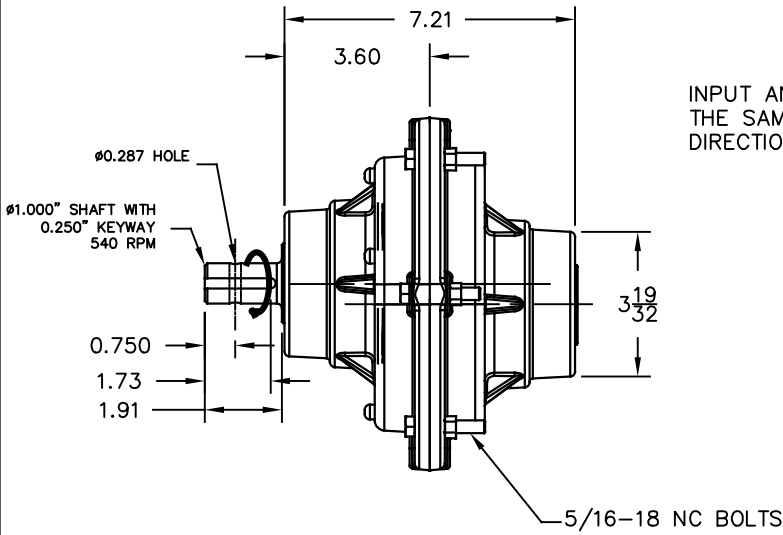


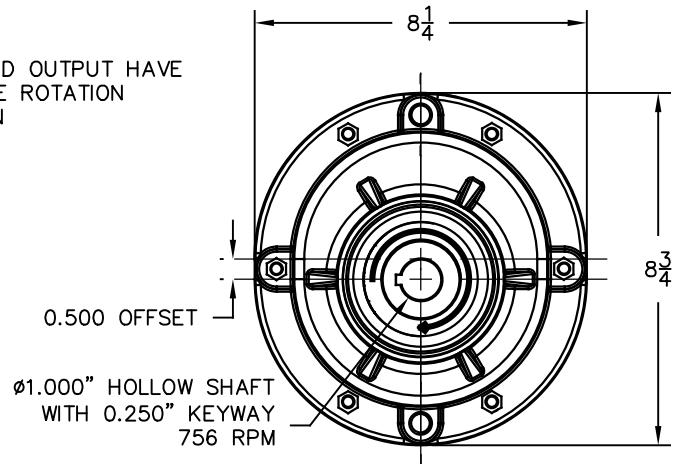
ORDER FORM PL-30

COMPANY NAME: _____
 PHONE NUMBER: _____
 BUYER'S NAME: _____
 QTY NEEDED: _____
 DELIVERY: _____



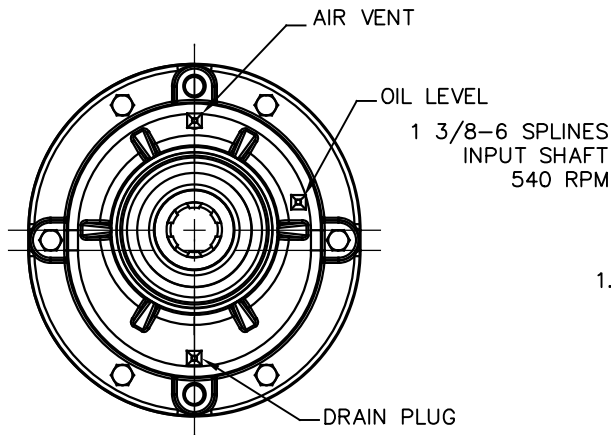
PL-30-901 MODEL SHOWN ABOVE (STYLE "A")

INPUT AND OUTPUT HAVE THE SAME ROTATION DIRECTION

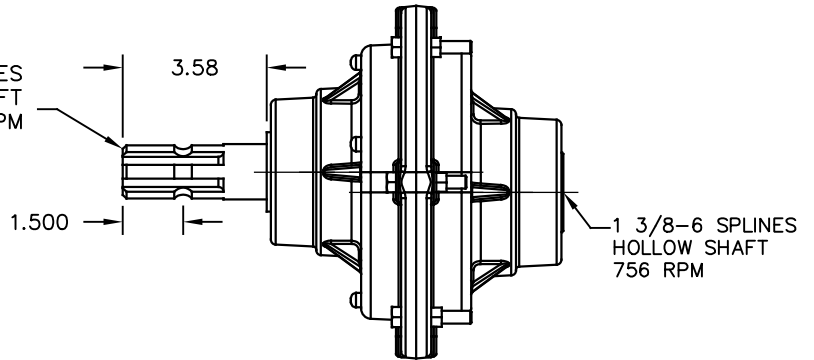


OPTIONS

- 1.4:1 RATIO
- CUSTOM RATIO
- INCREASER REDUCER
- DRIVER UP DRIVER DOWN
- NO OIL 80W90 OIL FILLED



PL-30-902 MODEL SHOWN ABOVE (STYLE "A")



CUSTOM INPUT, OUTPUT AND RATIO AVAILABLE UPON REQUEST. PLEASE SEND A DRAWING FOR QUOTATION.

	Part Number	Ratio	HP	RPM		INPUT SHAFT	OUTPUT HOLLOW SHAFT
				RPM IN	RPM OUT		
INCREASER	PL-30-901	1.4:1	25	540	756	1" with keyway	1" with keyway
INCREASER	PL-30-902	1.4:1	45	540	756	1 3/8-6 Splines	1 3/8-6 Splines
REDUCER	PL-30-903	1.4:1	38	1000	714	1" with keyway	1" with keyway
REDUCER	PL-30-904	1.4:1	50	1000	714	1 3/8-6 Splines	1 3/8-6 Splines

DRIVER SIDE

GEARBOX WEIGHT: 30 POUNDS

