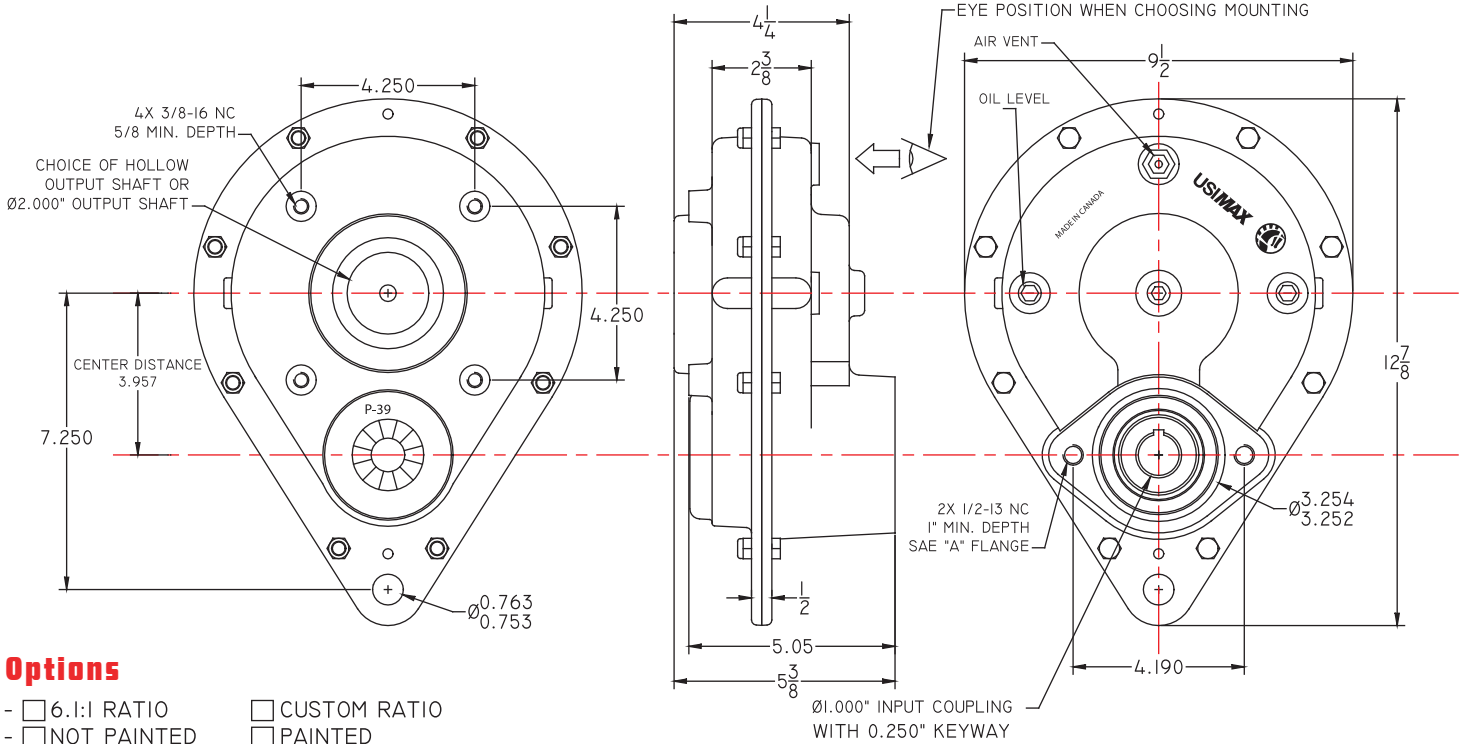


**Company name:** \_\_\_\_\_  
**Buyer's name:** \_\_\_\_\_ **Phone number:** \_\_\_\_\_  
**Qty needed:** \_\_\_\_\_ **Delivery:** \_\_\_\_\_

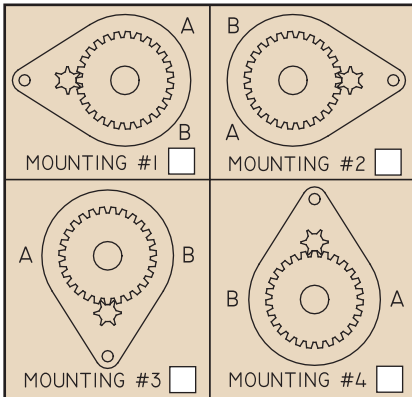


**Options**

- 6.1:1 RATIO
- NOT PAINTED
- OUTPUT SHAFT
- SPEED SENSOR
- CUSTOM RATIO
- PAINTED
- HOLLOW OUTPUT SHAFT

RATIO	MAXIMUM INPUT TORQUE			
	CONTINUOUS IN.LB	STARTING IN.LB	CONTINUOUS IN.LB	STARTING IN.LB
6.1:1	3150	4200	18900	25200

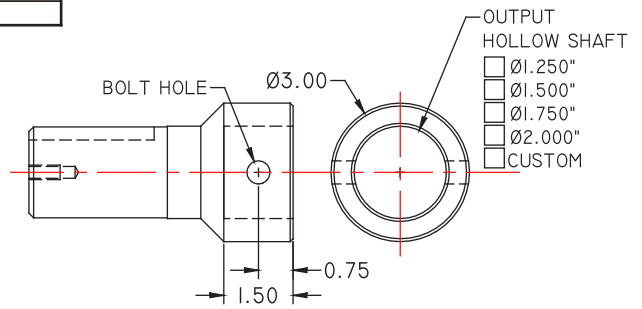
MOUNTING POSITION FOR OIL LEVEL PLUG, AIR VENT AND DRAIN PLUG



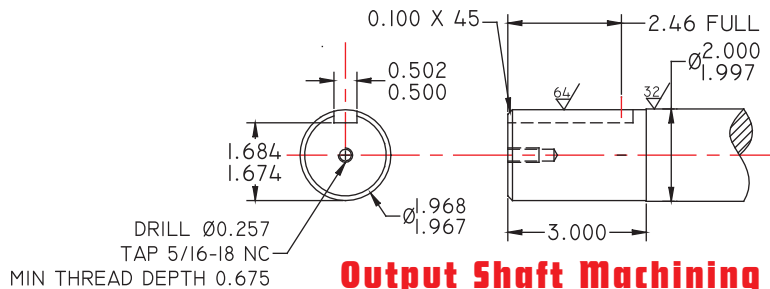
DRAWING ABOVE SHOWS #3 MOUNTING

GEARBOX WEIGHT: 34 POUNDS

PLEASE SPECIFY SPEED SENSOR POSITION ( A OR B ) ON MOUNTING DRAWING WHEN THIS OPTION IS CHOSEN



**Hollow shaft detail**



**Output Shaft Machining Detail**