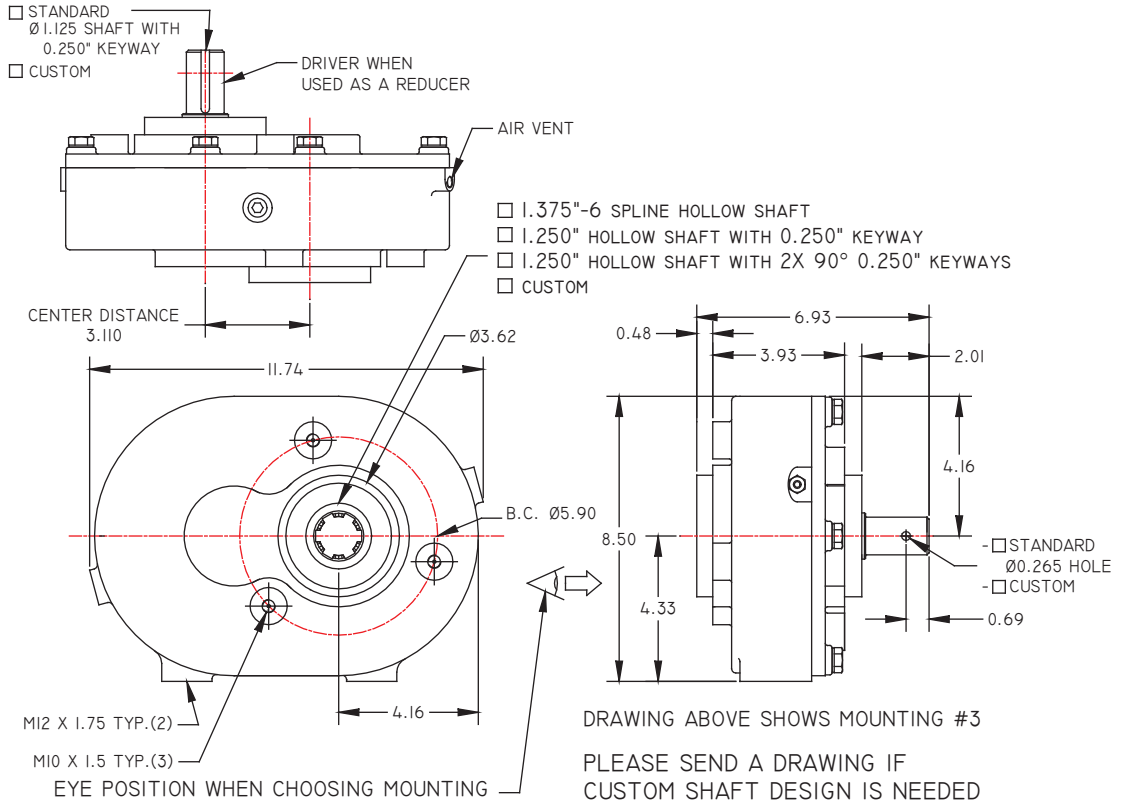


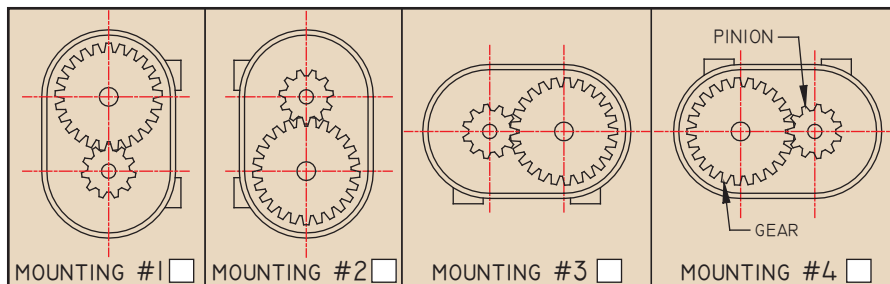
Company name: _____
Buyer's name: _____ **Phone number:** _____
Qty needed: _____ **Delivery:** _____



- NO OIL FILLED WITH 80W90 OIL
- NOT PAINTED PAINTED

RATIO		INPUT RPM				
		500	1000	1500	2500	3500
<input type="checkbox"/> 2:1	INPUT HP	14	26	37	59	80
	INPUT TORQUE IN.LBS	1764	1638	1554	1487	1440
<input type="checkbox"/> 2.5:1	INPUT HP	11	21	30	47	64
	INPUT TORQUE IN.LBS	1386	1323	1260	1184	1152
<input type="checkbox"/> 2.92:1	INPUT HP	9	17	25	40	54
	INPUT TORQUE IN.LBS	1134	1071	1050	1008	972
<input type="checkbox"/> 3.58:1	INPUT HP	7	13	19	30	41
	INPUT TORQUE IN.LBS	882	819	798	756	738

MOUNTING POSITION FOR OIL LEVEL PLUG, AIR VENT AND DRAIN PLUG



GEARBOX WEIGHT: 34 POUNDS