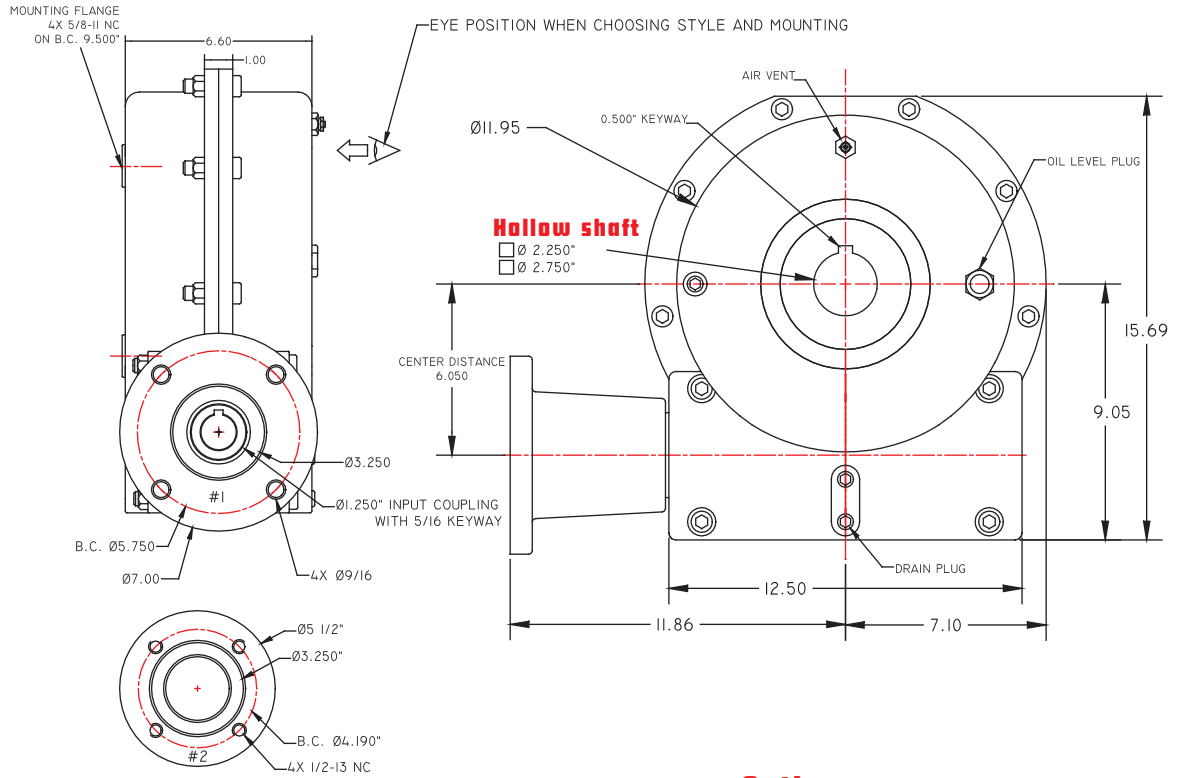


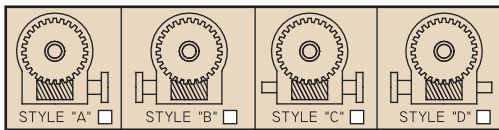
**Company name:** \_\_\_\_\_  
**Buyer's name:** \_\_\_\_\_ **Phone number:** \_\_\_\_\_  
**Qty needed:** \_\_\_\_\_ **Delivery:** \_\_\_\_\_



RATIO		INPUT RPM			
		100	400	1200	1750
<input checked="" type="checkbox"/> 25:1	INPUT HP	2.8	8.2	13.5	15.8
	INPUT TORQUE IN.LB	1772	1293	711	567
	OUTPUT HP	1.9	6.3	11.4	13.7
	OUTPUT TORQUE IN.LB	30319	24855	14979	12364
<input checked="" type="checkbox"/> 50:1	INPUT HP	1.8	4.8	7.6	8.5
	INPUT TORQUE IN.LB	1110	758	401	305
	OUTPUT HP	0.9	3.0	5.5	6.6
	OUTPUT TORQUE IN.LB	28744	23822	14372	11835

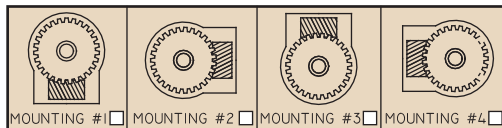
**Options**

- 25:1 RATIO
- RIGHT HAND THREAD
- NO OIL
- NOT PAINTED
- HYD. ADAPTOR #1
- 50:1 RATIO
- LEFT HAND THREAD
- OIL FILLED
- PRIMER PAINTED
- HYD. ADAPTOR #2



DRAWING ABOVE SHOWS  
B-1 (STYLE-MOUNTING)

MOUNTING POSITION FOR OIL LEVEL PLUG, AIR VENT AND DRAIN PLUG



GEARBOX WEIGHT: 210 POUNDS