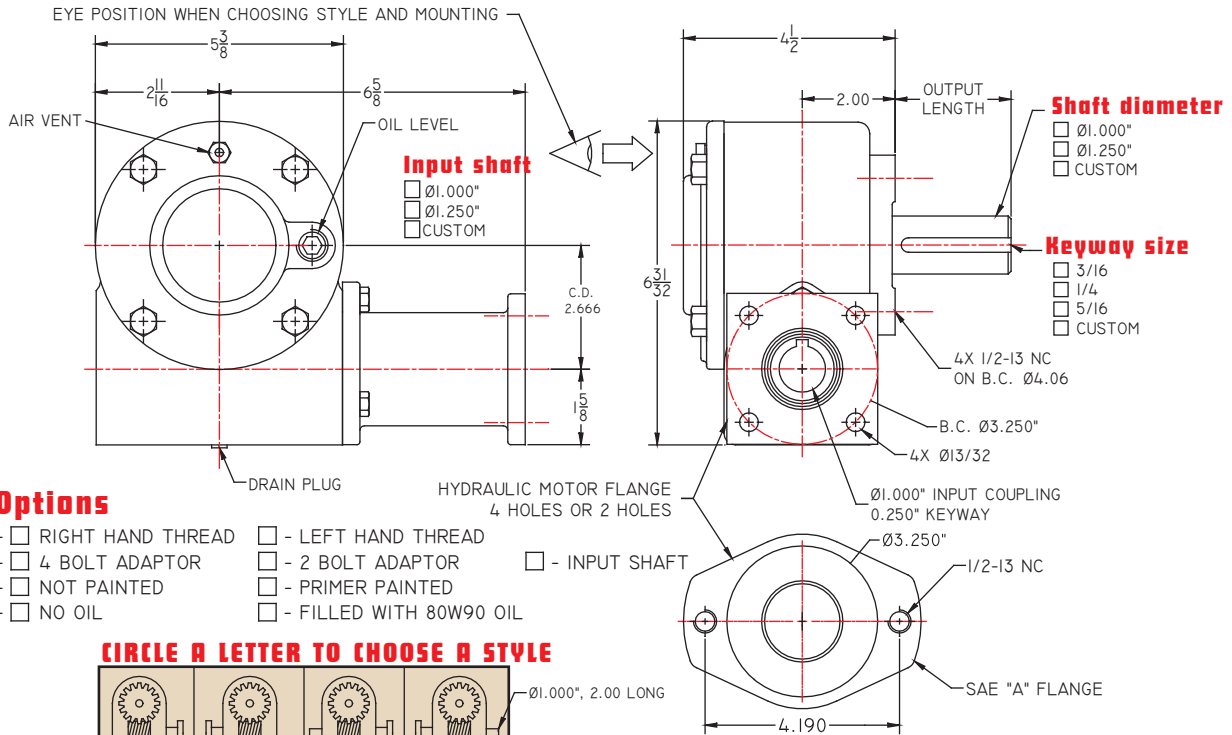


**Company name:** \_\_\_\_\_  
**Buyer's name:** \_\_\_\_\_ **Phone number:** \_\_\_\_\_  
**Qty needed:** \_\_\_\_\_ **Delivery:** \_\_\_\_\_



**Options**

- RIGHT HAND THREAD
- 4 BOLT ADAPTOR
- NOT PAINTED
- NO OIL
- LEFT HAND THREAD
- 2 BOLT ADAPTOR
- PRIMER PAINTED
- FILLED WITH 80W90 OIL
- INPUT SHAFT

**CIRCLE A LETTER TO CHOOSE A STYLE**

Ø1.000", 2.00 LONG

	A	B	C
	E	F	G
	I	J	K
	M	N	O
			P

MOUNTING FLANGE SIDE

MOUNTING POSITION FOR OIL LEVEL PLUG, AIR VENT AND DRAIN PLUG

MOUNTING #1  MOUNTING #2  MOUNTING #3  MOUNTING #4

RATIO	INPUT RPM				
	100	400	1200	1750	
5:1	INPUT HP	0.99	3.08	5.48	6.43
	INPUT TORQUE IN.LB	624	485	288	231
6.66:1	OUTPUT HP	0.78	2.65	4.95	5.91
	OUTPUT TORQUE IN.LB	2457	2087	1299	1064
10:1	INPUT HP	0.85	2.63	4.63	5.40
	INPUT TORQUE IN.LB	536	413	243	194
20:1	OUTPUT HP	0.63	2.16	4.07	4.85
	OUTPUT TORQUE IN.LB	2643	2266	1423	1163
32:1	INPUT HP	0.68	2.05	3.57	4.13
	INPUT TORQUE IN.LB	428	323	187	149
50:1	OUTPUT HP	0.46	1.57	2.98	3.55
	OUTPUT TORQUE IN.LB	2898	2473	1565	1278
50:1	INPUT HP	0.48	1.36	2.25	2.54
	INPUT TORQUE IN.LB	302	214	118	91
50:1	OUTPUT HP	0.25	0.85	1.63	1.93
	OUTPUT TORQUE IN.LB	3150	2678	1712	1390
50:1	INPUT HP	0.40	1.21	1.90	2.10
	INPUT TORQUE IN.LB	252	191	100	76
50:1	OUTPUT HP	0.18	0.61	1.23	1.44
	OUTPUT TORQUE IN.LB	3629	3074	2066	1659
50:1	INPUT HP	0.31	0.85	1.43	1.55
	INPUT TORQUE IN.LB	195	134	75	56
50:1	OUTPUT HP	0.13	0.38	0.76	0.89
	OUTPUT TORQUE IN.LB	4095	2993	1995	1602

- PLEASE SEND A DRAWING WITH ALL SHAFT DIMENSIONS AND DETAILS IF CUSTOM DESIGN IS NEEDED.

- DRAWING ABOVE SHOWS E-1 (STYLE-MOUNTING)

- GEARBOX WEIGHT: 30 POUNDS