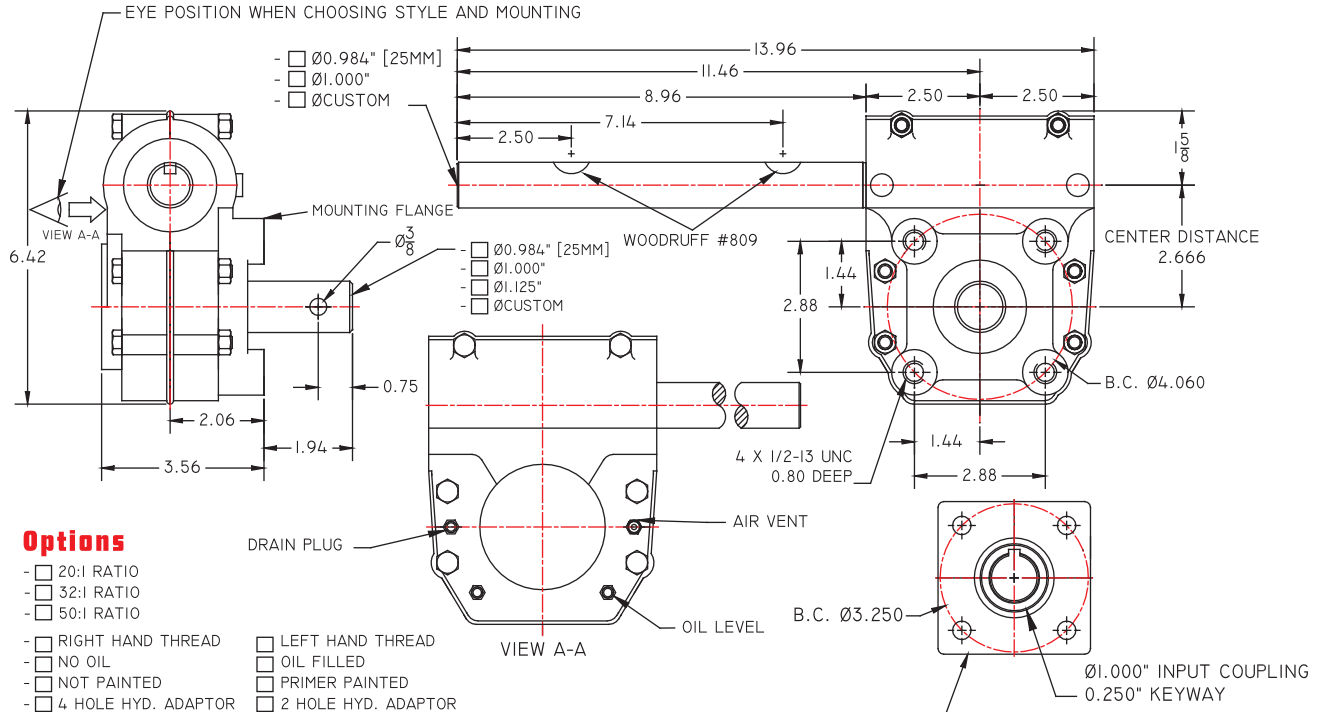
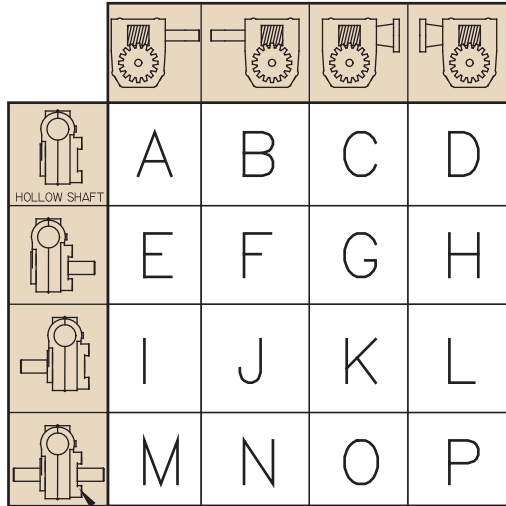


Company name: _____
Buyer's name: _____ **Phone number:** _____
Qty needed: _____ **Delivery:** _____



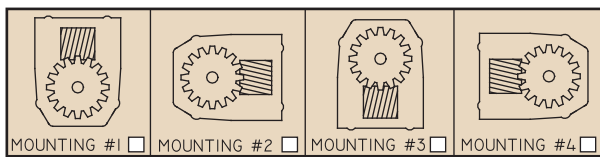
CIRCLE A LETTER TO CHOOSE A STYLE



RATIO	INPUT RPM				
	100	400	1200	1750	
20:1	INPUT HP	0.48	1.36	2.25	2.54
	INPUT TORQUE IN.LB	299	215	118	91
	OUTPUT HP	0.25	0.85	1.63	1.93
32:1	INPUT HP	0.40	1.21	1.90	2.10
	INPUT TORQUE IN.LB	252	191	100	76
	OUTPUT HP	0.18	0.61	1.23	1.44
50:1	INPUT HP	0.31	0.85	1.43	1.55
	INPUT TORQUE IN.LB	197	134	75	56
	OUTPUT HP	0.13	0.38	0.76	0.89
	OUTPUT TORQUE IN.LB	3938	2953	2002	1598

GEARBOX WEIGHT: 19 POUNDS

MOUNTING POSITION FOR OIL LEVEL PLUG, AIR VENT AND DRAIN PLUG



-DRAWING ABOVE SHOWS A-4
 (STYLE-MOUNTING)
 -CUSTOM INPUT AND OUTPUT SHAFT
 AVAILABLE UPON REQUEST. PLEASE
 SEND A DRAWING FOR QUOTATION.