

**Company name:** \_\_\_\_\_

**Buyer's name:** \_\_\_\_\_ **Phone number:** \_\_\_\_\_

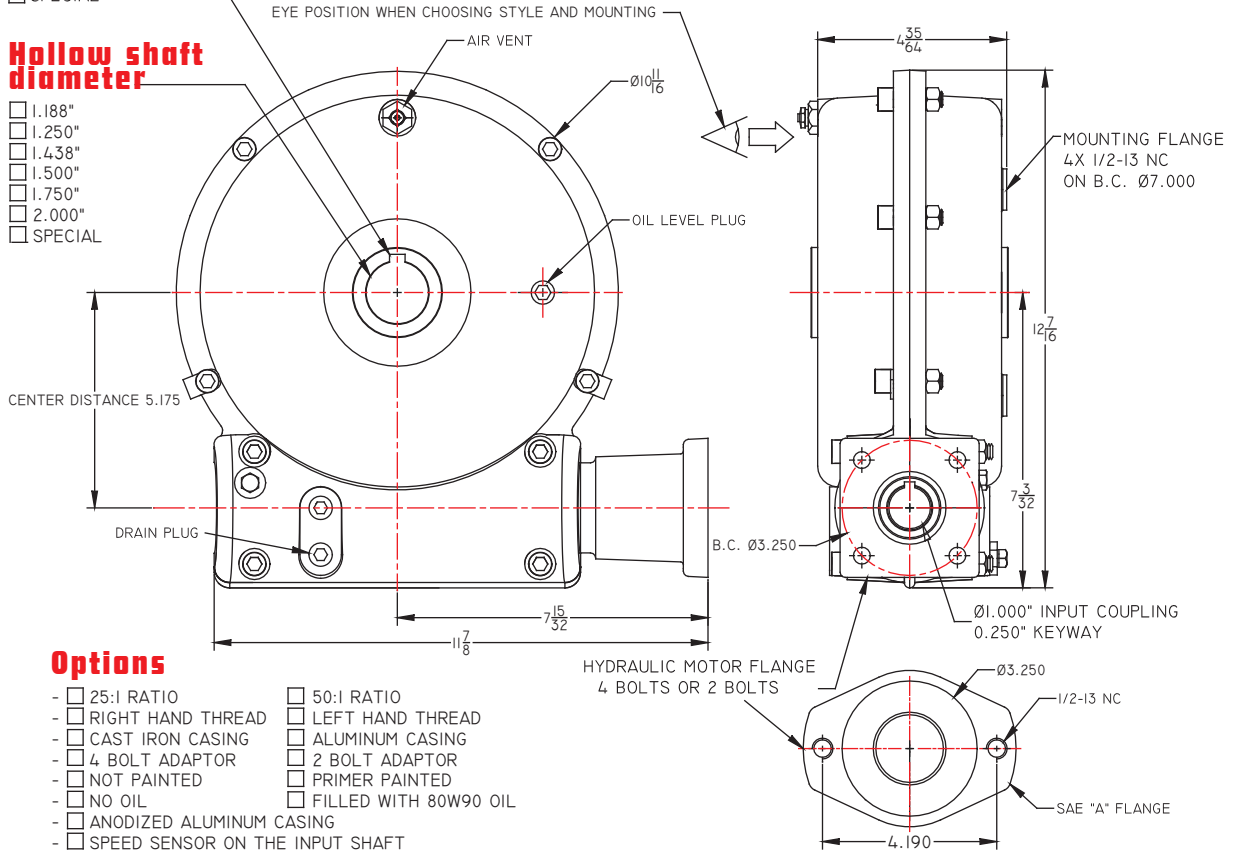
**Qty needed:** \_\_\_\_\_ **Delivery:** \_\_\_\_\_

**Keyway size**

- 0.250"
- 0.313"
- 0.375"
- 0.500"
- SPECIAL

**Hollow shaft diameter**

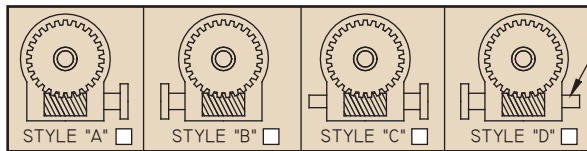
- 1.188"
- 1.250"
- 1.438"
- 1.500"
- 1.750"
- 2.000"
- SPECIAL



**Options**

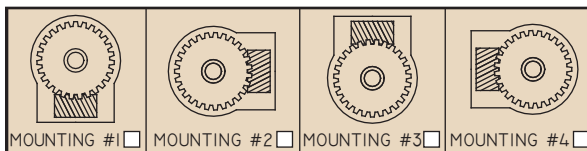
- 25:1 RATIO
- RIGHT HAND THREAD
- CAST IRON CASING
- 4 BOLT ADAPTOR
- NOT PAINTED
- NO OIL
- ANODIZED ALUMINUM CASING
- SPEED SENSOR ON THE INPUT SHAFT
- 50:1 RATIO
- LEFT HAND THREAD
- ALUMINUM CASING
- 2 BOLT ADAPTOR
- PRIMER PAINTED
- FILLED WITH 80W90 OIL

<input type="checkbox"/> RATIO 25:1	INPUT RPM				<input type="checkbox"/> RATIO 50:1	INPUT RPM			
INPUT HP	1.3	3.9	6.9	7.9	INPUT HP	0.8	2.3	3.8	4.3
INPUT TORQUE	827	618	360	285	INPUT TORQUE	520	362	200	156
OUTPUT HP	0.9	3.0	5.7	6.8	OUTPUT HP	0.4	1.5	2.7	3.3
OUTPUT TORQUE	14175	11911	7514	6120	OUTPUT TORQUE	13388	11419	7186	5850



Ø0.984", 1.00" LONG  
DRAWING ABOVE SHOWS A-I (STYLE-MOUNTING)

MOUNTING POSITION FOR OIL LEVEL PLUG, AIR VENT AND DRAIN PLUG



ALUMINUM GEARBOX WEIGHT: 42 POUNDS  
CAST IRON GEARBOX WEIGHT: 58 POUNDS