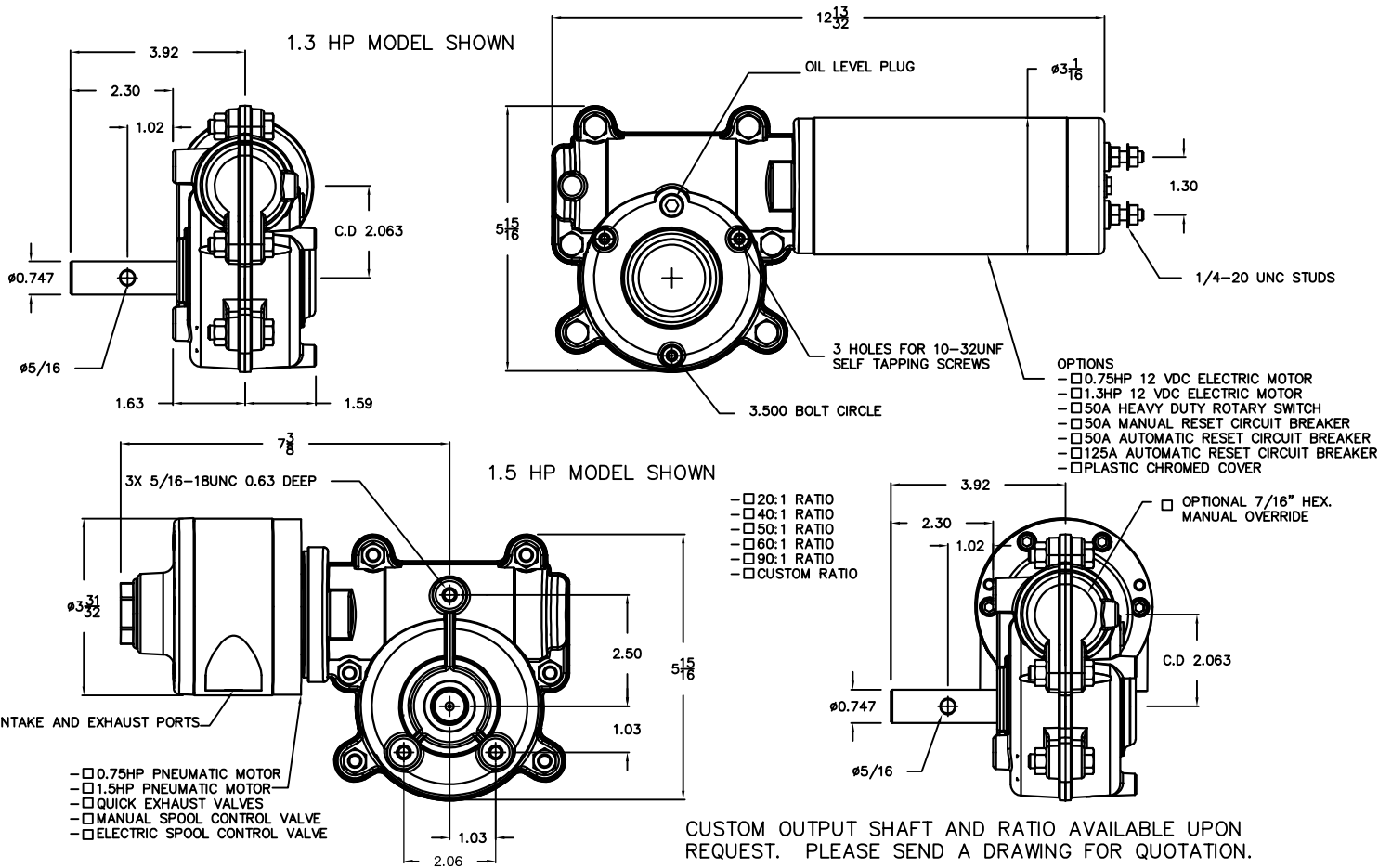


ORDER FORM MW-12

COMPANY NAME: _____
 PHONE NUMBER: _____
 BUYER'S NAME: _____
 QTY NEEDED: _____
 DELIVERY: _____



12 VDC Electric Gearbox 0.75 hp

Part number	Input rpm	Output rpm	Output torque	Current (A)	Ratio
MW-12-941-S	3500-4000	88-100	380 in-pound	100	40:1
MW-12-951-S	3500-4000	70-80	428 in-pound	100	50:1
MW-12-961-S	3500-4000	60-65	475 in-pound	100	60:1
MW-12-991-S	3500-4000	40-45	625 in-pound	100	90:1

12 VDC Electric Gearbox 1.3 hp

Part number	Input rpm	Output rpm	Output torque	Current (A)	Ratio
MW-12-941-H	4000-4500	100-112	400 in-pound	100	40:1
MW-12-951-H	4000-4500	80-90	450 in-pound	100	50:1
MW-12-961-H	4000-4500	70-75	500 in-pound	100	60:1
MW-12-991-H	4000-4500	45-50	700 in-pound	100	90:1

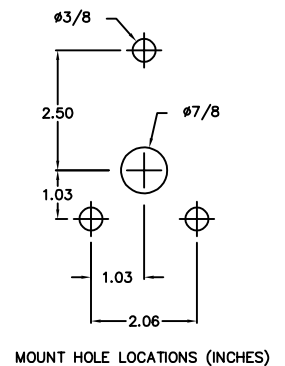
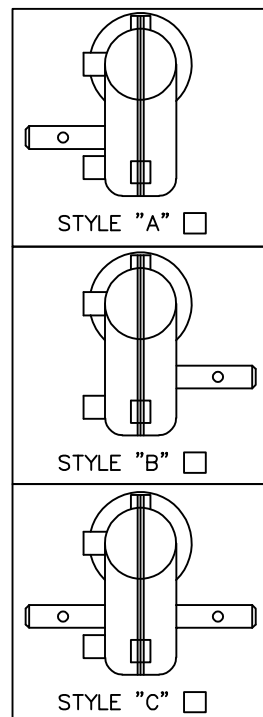
Pneumatic Gearbox 0.75 hp

Part number	Input rpm	Output rpm	Output torque	Pres. (psi)	Ratio
MW-12-922-S	2000-2500	100-125	79 in-pound	100	20:1
MW-12-942-S	2000-2500	50-63	239 in-pound	100	40:1
MW-12-952-S	2000-2500	40-50	297 in-pound	100	50:1
MW-12-962-S	2000-2500	33-42	354 in-pound	100	60:1

Pneumatic Gearbox 1.5 hp

Part number	Input rpm	Output rpm	Output torque	Pres. (psi)	Ratio
MW-12-922-H	2000-2500	100-125	250 in-pound	100	20:1
MW-12-942-H	2000-2500	50-63	425 in-pound	100	40:1
MW-12-952-H	2000-2500	40-50	527 in-pound	100	50:1
MW-12-962-H	2000-2500	33-42	630 in-pound	100	60:1

MODELS SHOWN ABOVE ARE STYLE "A"



MOUNT HOLE LOCATIONS (INCHES)