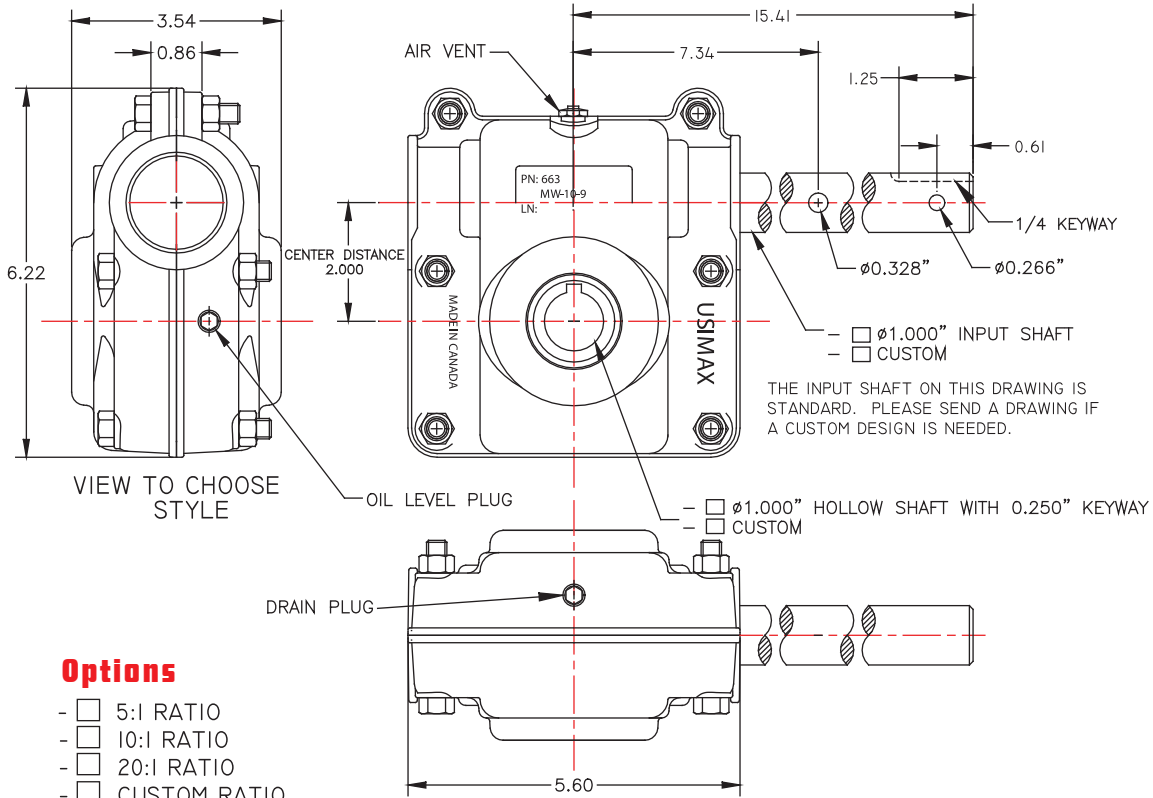


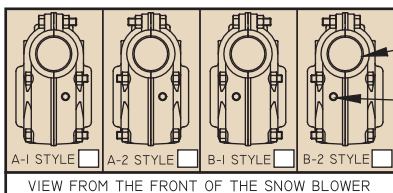
Company name: _____
Buyer's name: _____ **Phone number:** _____
Qty needed: _____ **Delivery:** _____



Options

- 5:1 RATIO
- 10:1 RATIO
- 20:1 RATIO
- CUSTOM RATIO
- RIGHT HAND THREAD - LEFT HAND THREAD
- NO OIL - 80W90 OIL FILLED

RATIO		INPUT RPM			
		100	400	1200	1750
<input type="checkbox"/> 5:1	INPUT HP	0.41	1.39	2.73	3.11
	INPUT TORQUE IN.LB	260	219	143	112
	OUTPUT HP	0.34	1.18	2.43	2.84
	OUTPUT TORQUE IN.LB	1063	925	637	511
<input type="checkbox"/> 10:1	INPUT HP	0.29	0.91	1.75	1.99
	INPUT TORQUE IN.LB	181	144	92	72
	OUTPUT HP	0.20	0.70	1.46	1.70
	OUTPUT TORQUE IN.LB	1260	1103	768	612
<input type="checkbox"/> 20:1	INPUT HP	0.20	0.61	1.10	1.25
	INPUT TORQUE IN.LB	126	96	58	45
	OUTPUT HP	0.10	0.38	0.79	0.93
	OUTPUT TORQUE IN.LB	1260	1181	827	666



GEARBOX WEIGHT: 10 POUNDS