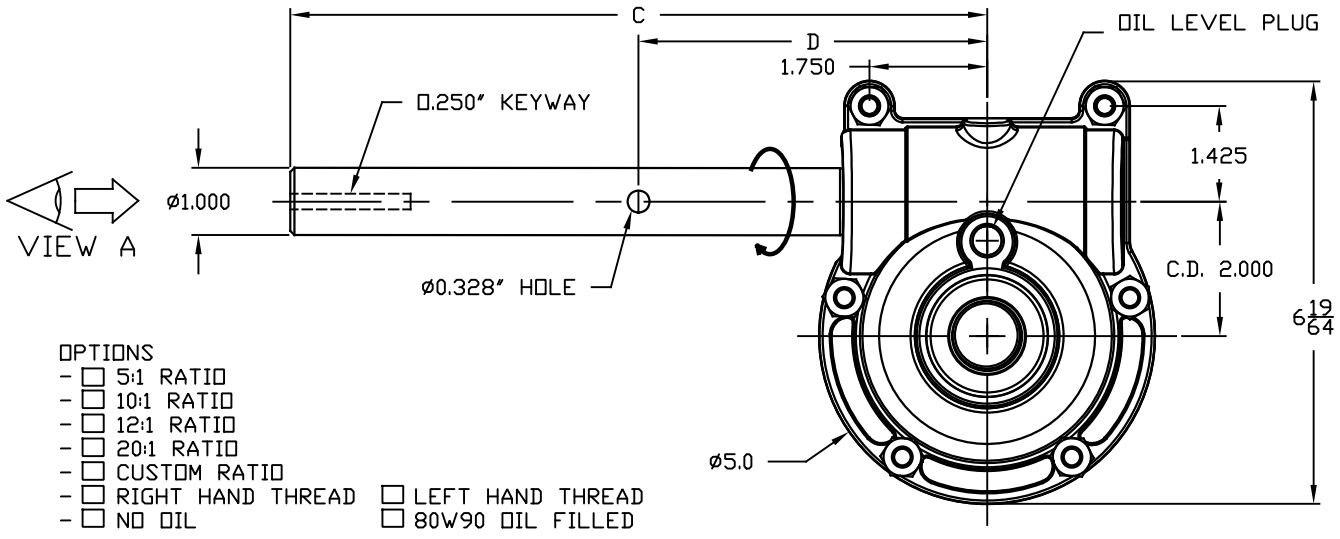


ORDER FORM

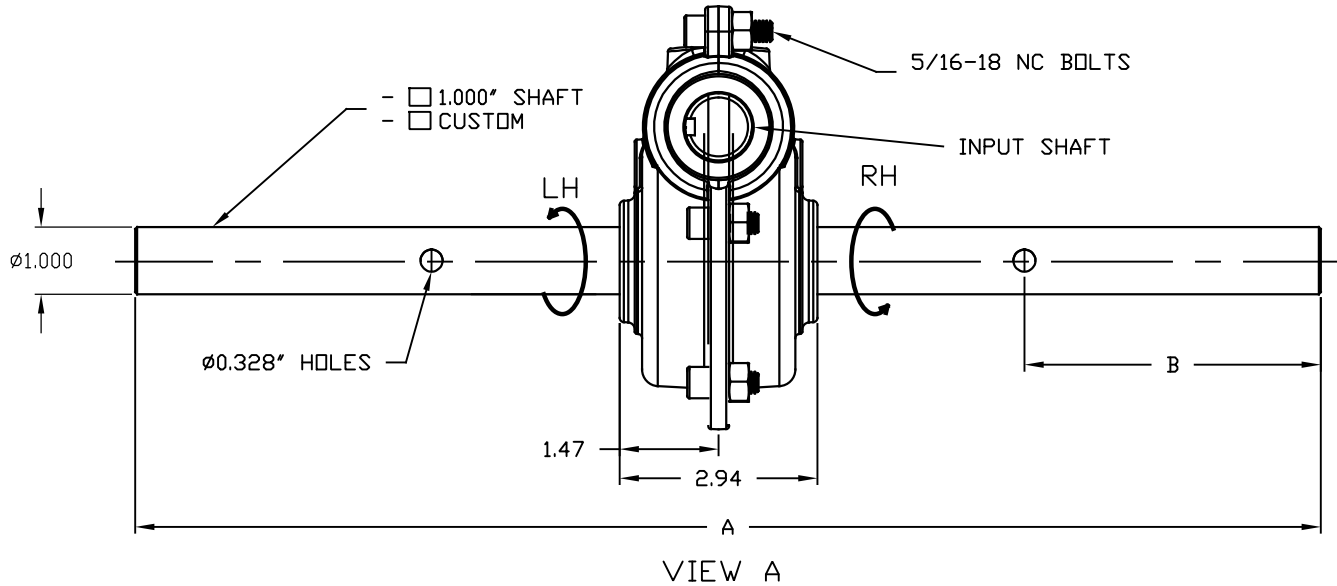
MW-09

COMPANY NAME: _____
 PHONE NUMBER: _____
 BUYER'S NAME: _____
 QTY NEEDED: _____
 DELIVERY: _____



OPTIONS

- 5:1 RATIO
- 10:1 RATIO
- 12:1 RATIO
- 20:1 RATIO
- CUSTOM RATIO
- RIGHT HAND THREAD LEFT HAND THREAD
- NO OIL 80W90 OIL FILLED



RATIO		INPUT RPM			
		100	400	1200	1750
<input type="checkbox"/> 5:1	INPUT HP	0.36	1.21	2.39	2.73
	INPUT TORQUE In.Lbs	228	191	125	98
	OUTPUT HP	0.30	1.03	2.13	2.49
	OUTPUT TORQUE In.Lbs	945	807	558	448
<input type="checkbox"/> 10:1	INPUT HP	0.25	0.80	1.53	1.74
	INPUT TORQUE In.Lbs	158	126	80	63
	OUTPUT HP	0.18	0.61	1.28	1.49
	OUTPUT TORQUE In.Lbs	1103	965	669	536
<input type="checkbox"/> 12:1	INPUT HP	0.24	0.76	1.47	1.70
	INPUT TORQUE In.Lbs	151	120	77	61
	OUTPUT HP	0.16	0.56	1.21	1.44
	OUTPUT TORQUE In.Lbs	1210	1058	762	621
<input type="checkbox"/> 20:1	INPUT HP	0.18	0.54	0.96	1.10
	INPUT TORQUE In.Lbs	110	85	51	40
	OUTPUT HP	0.09	0.33	0.69	0.81
	OUTPUT TORQUE In.Lbs	1103	1024	722	585

- CUSTOM INPUT AND OUTPUT SHAFT AVAILABLE UPON REQUEST. PLEASE SEND A DRAWING FOR QUOTATION.

-GEARBOX WEIGHT: 18 POUNDS WITH A 48" LONG OUTPUT SHAFT

SHAFTS DIMENSIONS

A= _____
 B= _____
 C= _____
 D= _____