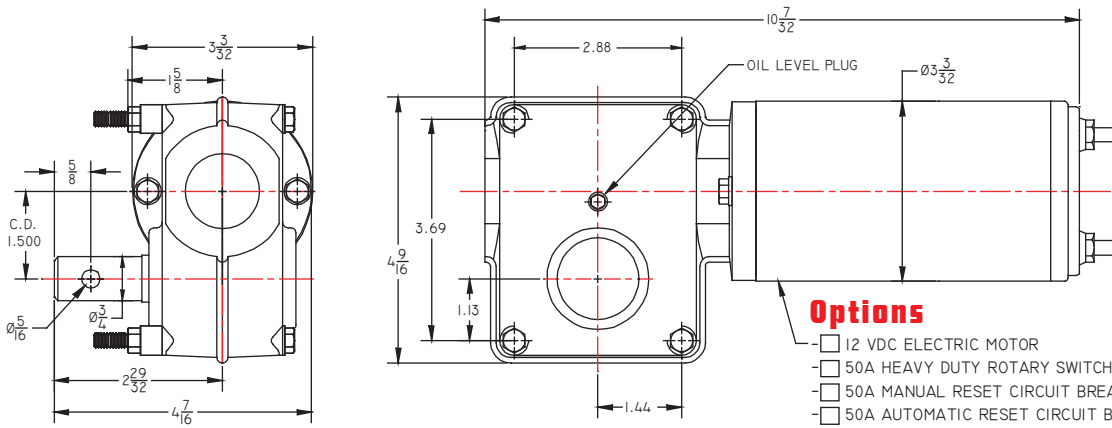
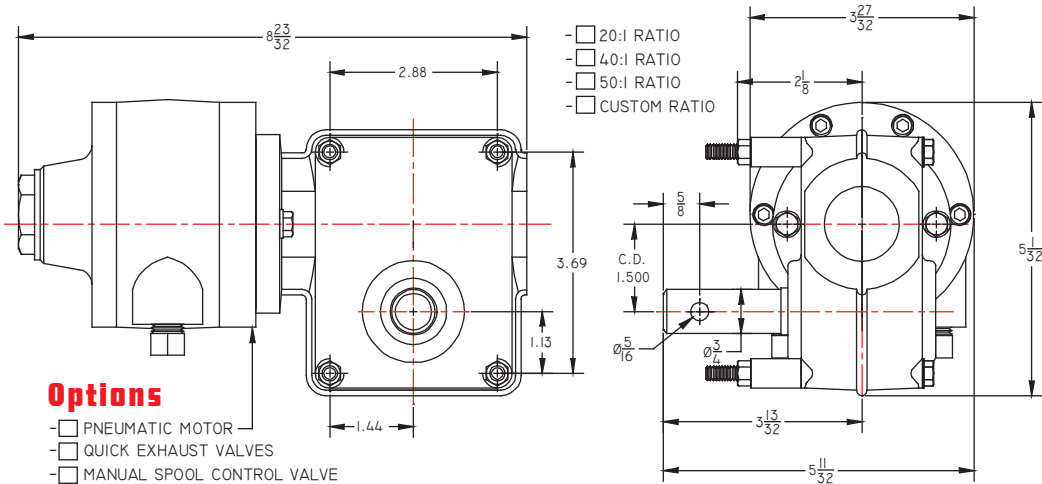


**Company name:** \_\_\_\_\_  
**Buyer's name:** \_\_\_\_\_ **Phone number:** \_\_\_\_\_  
**Qty needed:** \_\_\_\_\_ **Delivery:** \_\_\_\_\_



**Options**

- 12 VDC ELECTRIC MOTOR
- 50A HEAVY DUTY ROTARY SWITCH
- 50A MANUAL RESET CIRCUIT BREAKER
- 50A AUTOMATIC RESET CIRCUIT BREAKER
- 125A AUTOMATIC RESET CIRCUIT BREAKER

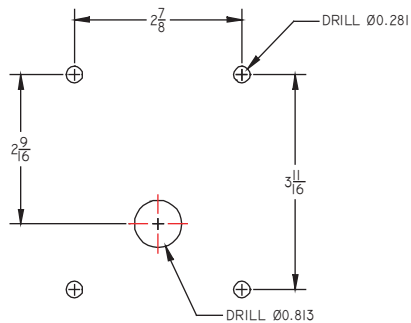


**Options**

- PNEUMATIC MOTOR
- QUICK EXHAUST VALVES
- MANUAL SPOOL CONTROL VALVE
- ELECTRIC SPOOL CONTROL VALVE

- 20:1 RATIO
- 40:1 RATIO
- 50:1 RATIO
- CUSTOM RATIO

CUSTOM OUTPUT SHAFT AND RATIO AVAILABLE UPON REQUEST. PLEASE SEND A DRAWING FOR QUOTATION.



MOUNT HOLE LOCATIONS (INCHES)

ELECTRIC GEARBOX					
PART NUMBER	INPUT RPM	OUTPUT RPM	OUTPUT TORQUE	CURRENT (A)	RATIO
MW-05-901	5000-6500	125-165	400 IN-POUND	100A	40:1
MW-05-950	5000-6500	100-130	460 IN-POUND	100A	50:1

PNEUMATIC GEARBOX					
PART NUMBER	INPUT RPM	OUTPUT RPM	OUTPUT TORQUE	PRES. (PSI)	RATIO
MW-05-902	2000-2500	100-125	250 IN-POUND	80	20:1
MW-05-942	2000-2500	50-62	425 IN-POUND	80	40:1